

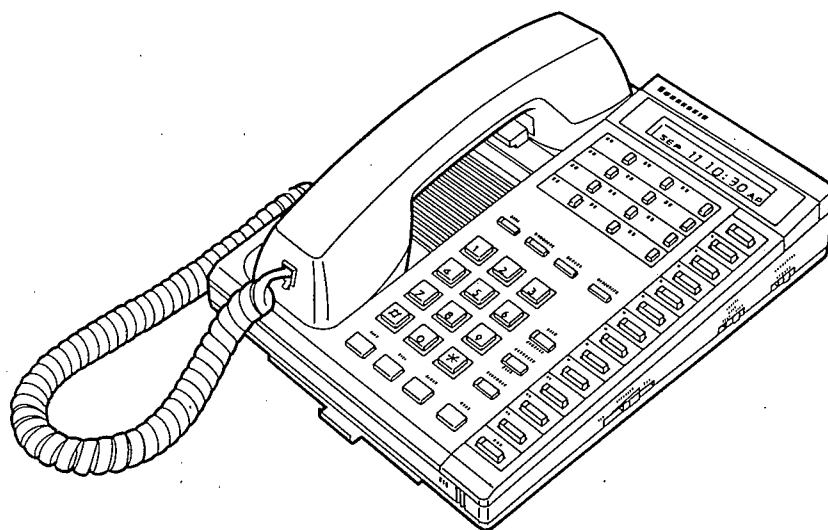
Service Manual

Easa-Phone

INTEGRATED TELEPHONE SYSTEM
(PROPRIETARY TELEPHONE WITH LCD FOR KX-T123210BE)

KX-T123230E

(for United Kingdom)



■ SPECIFICATIONS

Station Loop Limit:	40 ohms
Cabling Method:	2 pair wire
Jacks:	EMSS, Handset/Headset
Display:	16 digits (max.)
Dimensions:	158 (W) × 95 (H) × 228 (D) mm with handset (6 ⁷ / ₃₂ " × 3 ⁹ / ₄ " × 8 ³ / ₃₂ ")
Weight:	1 kg (2 lb 3.2 oz)

Design and specifications are subject to change without notice.

Panasonic

When you mention the serial number, write down the 11 digits. The serial number may be found on the label affixed to the bottom of the unit.

LOCATION OF CONTROLS

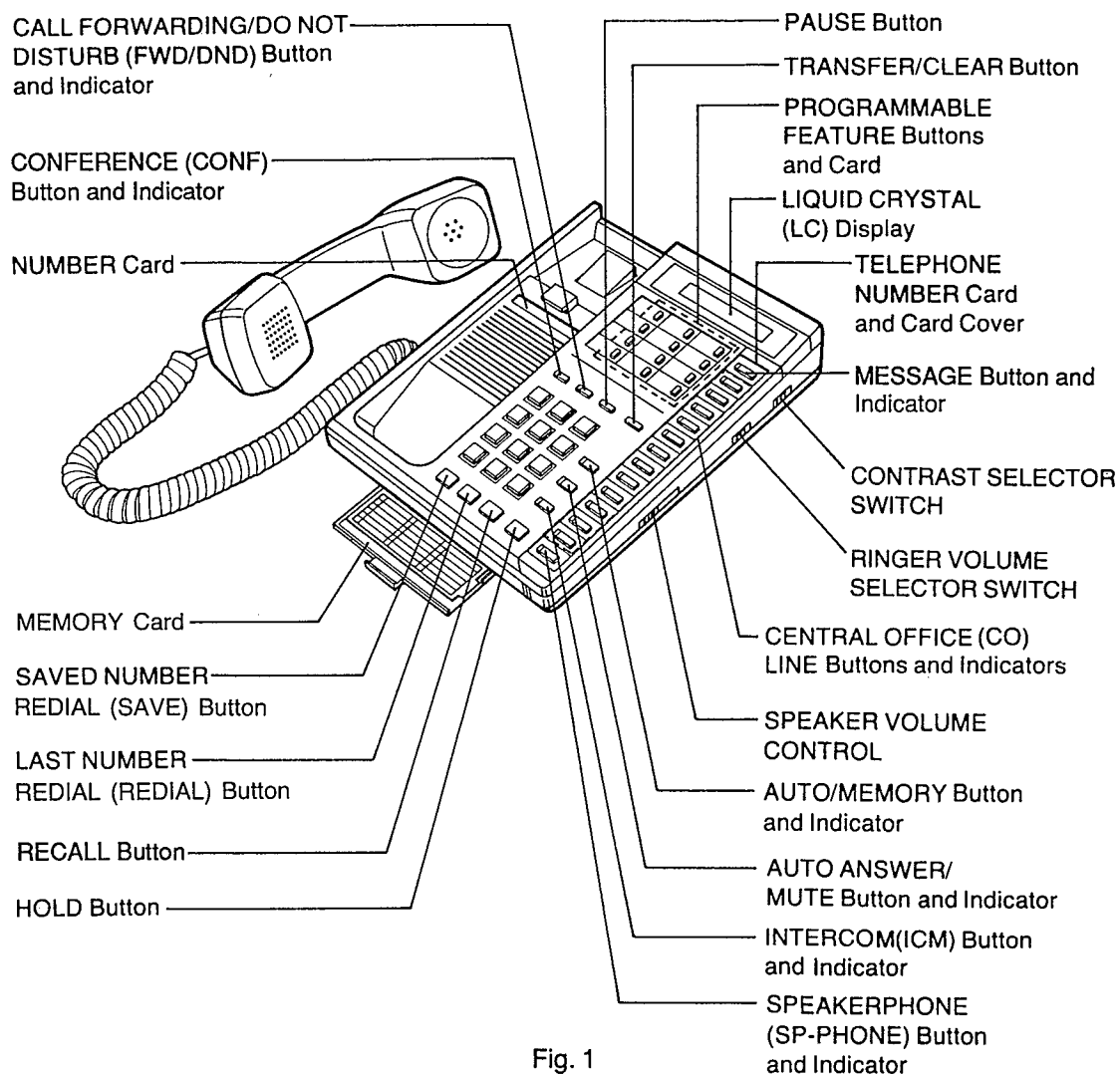


Fig. 1

FEATURES

- **Designed Exclusively for Electronic Modular Switching System.**
- **LCD Readout** shows date, time, call duration, internal caller's name, absence message. Also provides word prompts to simplify system programming.
- **Message Waiting Lamp** allows the user to leave a message at any proprietary phone from any phone (within the KX-T123210BE system).
- **Auto-Answer Speakerphone** lets you set intercom for automatic "hands-free" answering. Also allows on-hook dialing.
- **12 Soft Buttons (Programmable Feature)** for one-touch access to system features such as automatic call-back and paging. Can also be used to store numbers for automatic dialing.
- **12 Flexible CO Line Buttons** for CO line access and status. These buttons can also be programmed for DSS/BLF, one button trunk group access, one-touch auto dialing, and one-touch system feature access.

When the System Program Switch on the KX-T123210BE is set to the "PITS" position, the functions of the buttons on KX-T123230E connected to jack number 01 will change as follows.

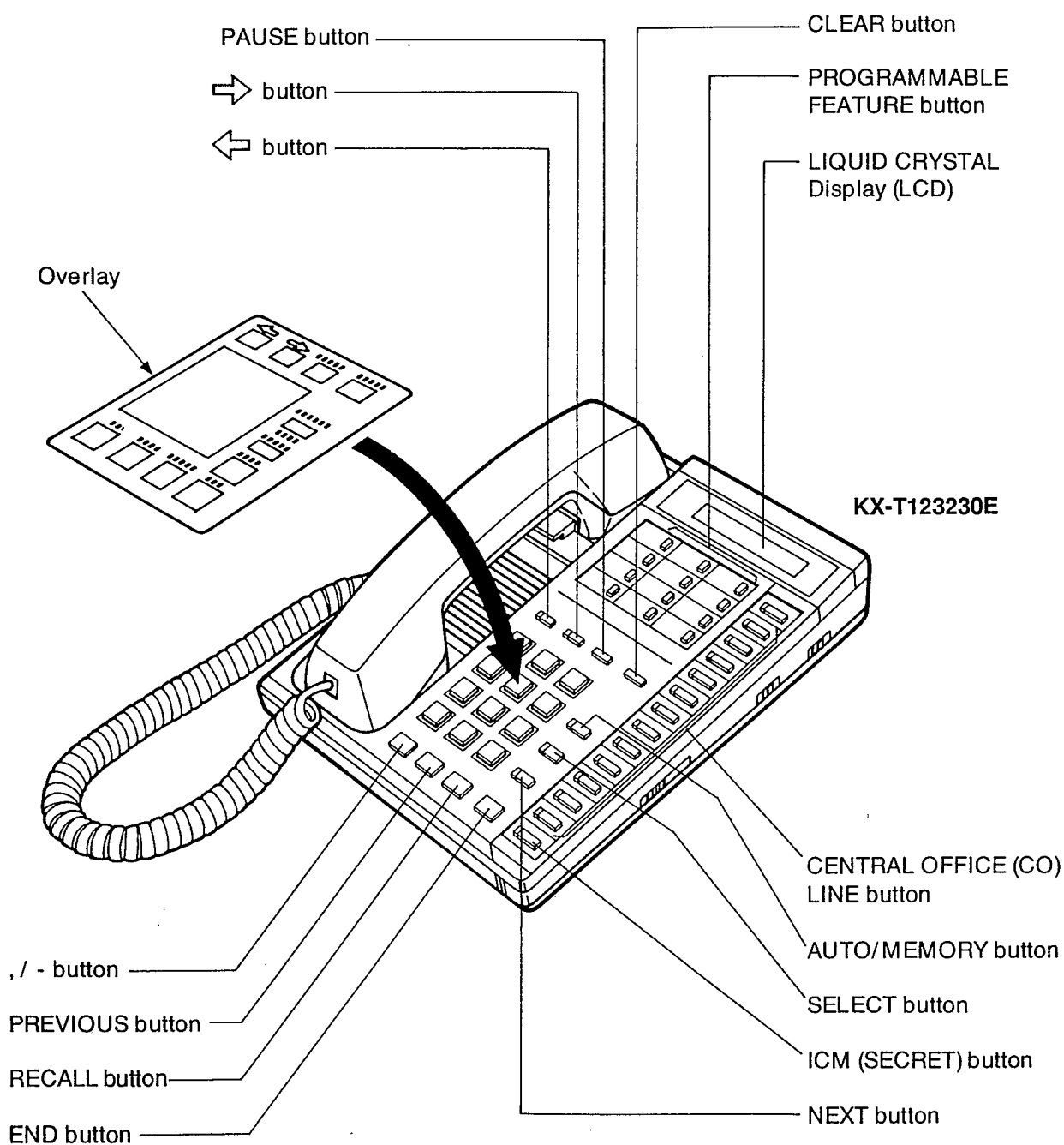


Fig. 2

FOR SERVICE TECHNICIANS

Note the following items when exchanging the LEDs (Ref. No. D617~635) of Dial P.C.Board.

1. Do not use LED again which is removed from P.C.Board.
2. Use soldering iron (less than 15 W) for exchanging LED.
3. Do not heat LED more than 2 seconds.
4. Do not move LED after solder.

DISASSEMBLY INSTRUCTIONS

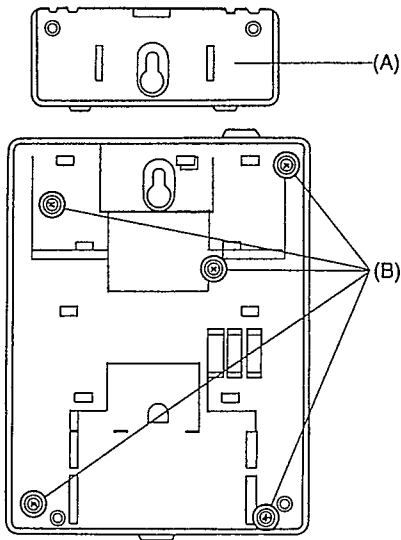


Fig. 3

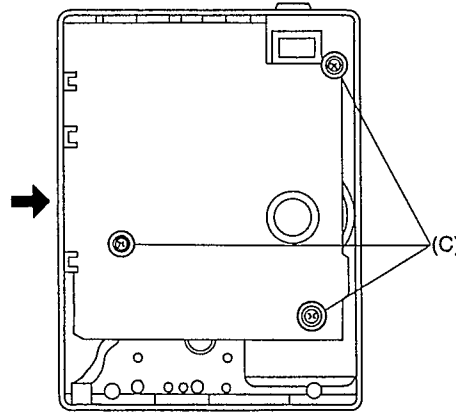


Fig. 4

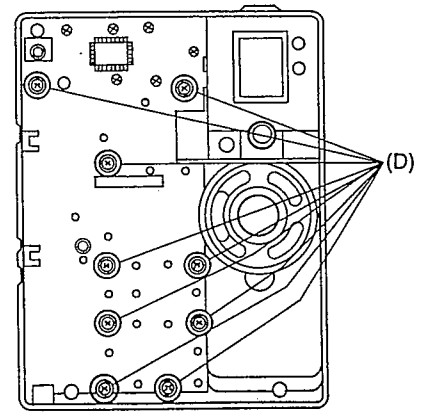


Fig. 5

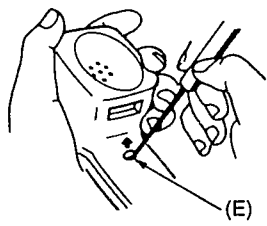


Fig. 6

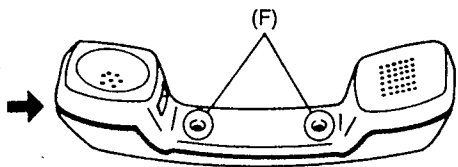


Fig. 7

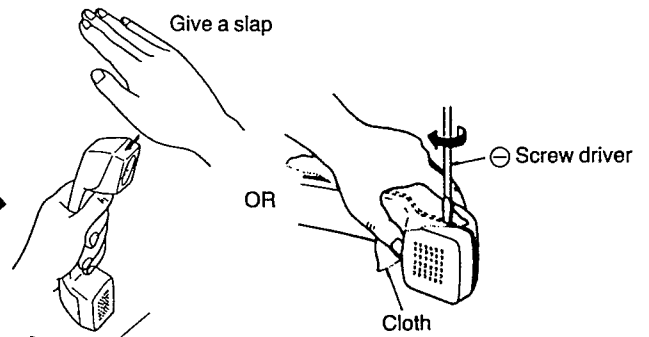


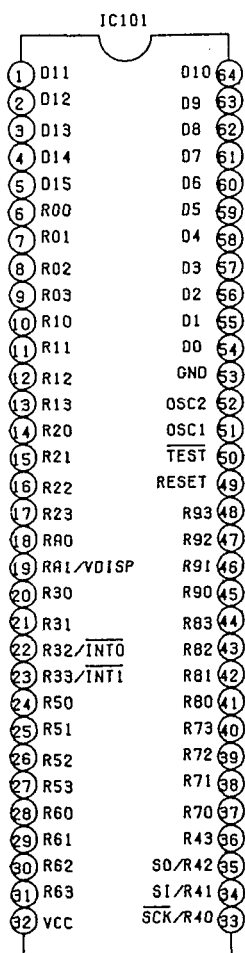
Fig. 8

(Please use thick cloth to prevent scratch the cabinet.)

Ref. No.	Procedure	Shown in Fig.—.	To remove—.	Remove—.
1	1, 2	3	Lower Cabinet	Remove the stand (A)
2				Screw (3×14) (B)×5
3	1-4	4	Main P.C.Board	Screw (3×10) (C)×3
4				Remove the Main P.C.Board. (Read Note 1)
5	1-6	5	Dial P.C.Board	Screw (2.3×8) (D)×9
6				Remove the Dial P.C.Board.
7	7-9	6	Handset Cabinet	Rubbers (E)×2
8		7		Screws (3×10) (F)×2
9		8		Remove the cabinet.

Note 1:
When remove the Main P.C.Board, remove from direction of the arrow.

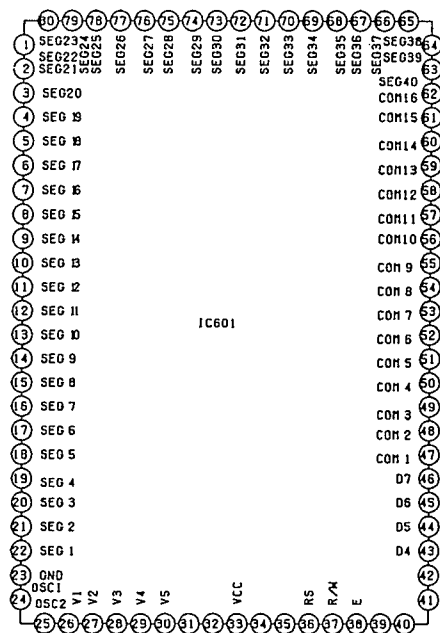
IC DATA



IC101: PQVI4045SF76
 Program ROM: 4K Byte (4 bit)
 Internal RAM: 1K bit
 Clock Frequency: 2.5 MHz
 Power Supply Voltage: 2.7-6 V

Pin No.	Mark	Function	High	Low
1	D11	LED Control Output	ON	OFF
2	D12	Not Used	---	---
3	D13	Not Used	---	---
4	D14	Not Used	---	---
5	D15	Not Used	---	---
6	R00	LED Control Output	ON	OFF
7	R01	LED Control Output	ON	OFF
8	R02	LED Control Output	ON	OFF
9	R03	LED Control Output	ON	OFF
10	R10	Handset Mute	ON	OFF
11	R11	Tone Control Output	ON	OFF
12	R12	LED Control	ON	OFF
13	R13	SP-Phone Relay Control	ON	OFF
14	R20	Tone Control Output	ON	OFF
15	R21	Tone Control Output	ON	OFF
16	R22	Tone Control Output	ON	OFF
17	R23	Tone Control Output	ON	OFF
18	RA0	Data Input	Disable	Enable
19	RA1/VDISP	Ground	---	---

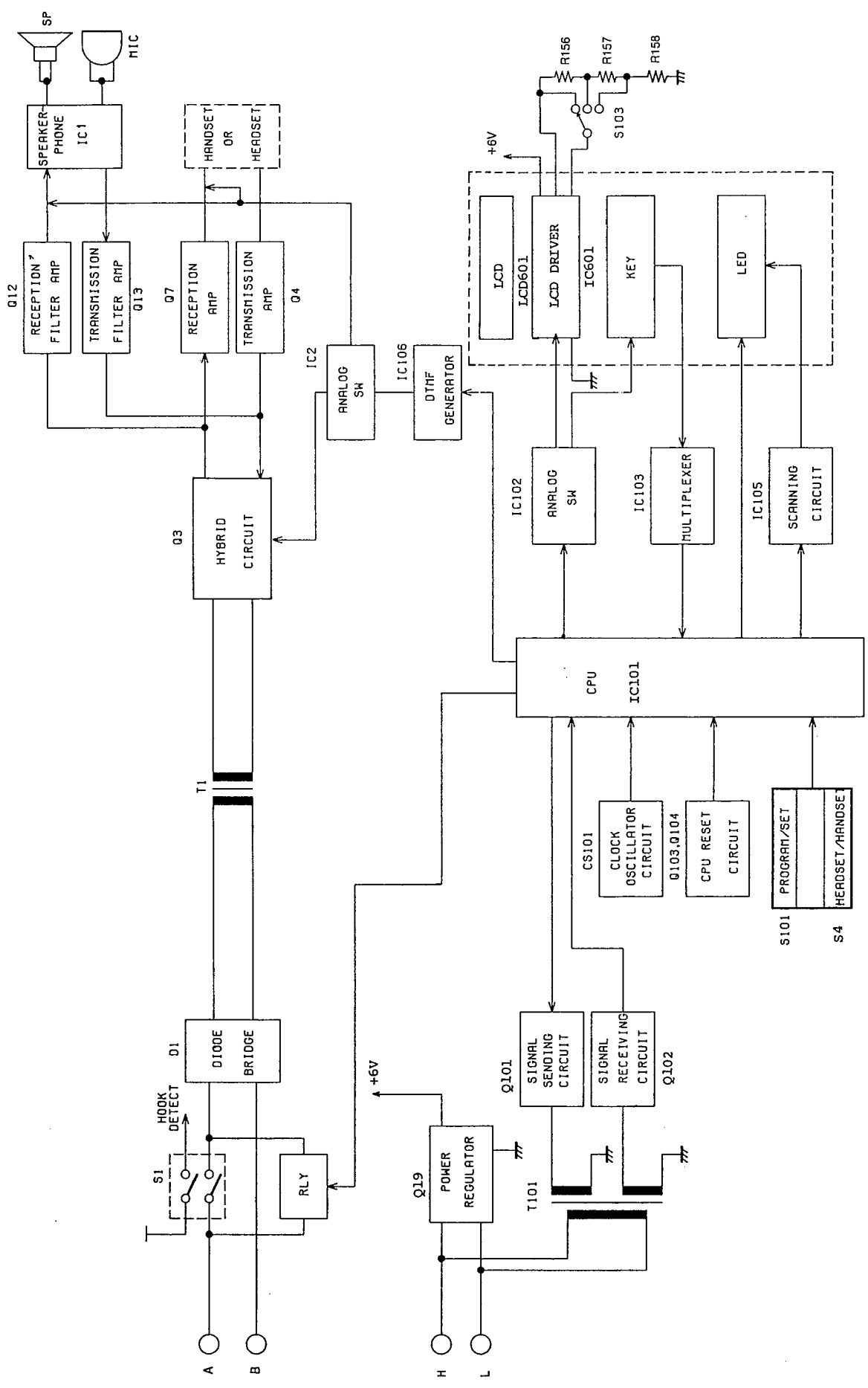
Pin No.	Mark	Function	High	Low
20	R30	Key Input	Disable	Enable
21	R31	Key Input	Disable	Enable
22	R32/ $\overline{\text{INT0}}$	Interrupt Input	Standby	Active
23	R33/ $\overline{\text{INT1}}$	Interrupt Input	Standby	Active
24	R50	Key Data Input/LCD Data Output	(LCD) ——— (Key) Disable	(LCD) ——— (Key) Enable
25	R51	Key Data Input/LCD Data Output		
26	R52	Key Data Input/LCD Data Output		
27	R53	Key Data Input/LCD Data Output		
28	R60	Key-Scan Output/LCD Data Output	Normal	Active
29	R61	Key-Scan Output/LCD Data Output	Normal	Active
30	R62	Key-Scan Output/LCD Data Output	(LCD) Normal	(LCD) Active
31	R63	Key-Scan Output/LCD Data Output	(Key) Normal	(Key) Normal
32	V _{cc}	(+) Power Source Terminal	———	———
33	SCK/R40	Interrupt Output	Disable	Enable
34	SI/R41	DTMF Control	Normal	Active
35	SO/R42	DTMF Control	Normal	Active
36	R43	DTMF Control	Normal	Active
37	R70	DTMF Control	Normal	Active
38	R71	DTMF Control	Normal	Active
39	R72	DTMF Control	Normal	Active
40	R73	DTMF Control	Normal	Active
41	R80	Handset Power Control Output	ON	OFF
42	R81	Chip Select Control Output	OFF	ON
43	R82	SP-Phone SP Mute Control Output	ON	OFF
44	R83	SP-Phone MIC Mute Control Output	ON	OFF
45	R90	Power Fail Detect Input	Power Down	Normal
46	R91	Key Input (Tone/Pulse Select Input)	Tone	Pulse
47	R92	Key Input (One Touch Dial Program SW Input)	Program	Set
48	R93	Hook Data Input	Off-Hook	On-Hook
49	RESET	System Reset Input	———	———
50	$\overline{\text{TEST}}$	———	———	———
51	OSC1	System Clock	———	———
52	OSC2	System Clock	———	———
53	GND	Ground	———	———
54	D0	DTMF Control Output	Enable	Disable
55	D1	LED Reset Signal Output	Active	Normal
56	D2	Pulse Output	Make	Break
57	D3	LCD Enable Control Output	Active	Normal
58	D4	Key Input/LCD Output Control	ON	OFF
59	D5	Data Input Control	Normal	Active
60	D6	Data Input	Disable	Enable
61	D7	Data Output	Active	Normal
62	D8	LED Control Output	ON	OFF
63	D9	LED Control Output	ON	OFF
64	D10	LED Control Output	ON	OFF



IC601: PQUIHD44780
 Display Data RAM: 80×8 bits
 Character Generator ROM: 160 characters

Pin No.	Mark	Function	High	Low
1 } 22	SEG 22 } SEG 1	LCD Segment Signal Output	40 State Output	
63 } 80	SEG 40 } SEG 23			
23	GND	Ground	/	
24 25	OSC 1 OSC 2	System Clock		
26 } 30	V1 } V5	Power Supply for LCD		
31 32	/	Not used		
33	V _{CC}	Power Supply		
34 35	/	Not used		
36	RS	Signal to select Resistors		
37	R/W	Signal to Select Read and Write	Read	Write
38	E	Operation Start Signal for Data R/W	Active	Normal
39 } 42	/	Not used	/	
43 } 46	D4 } D7	Data Bus		
47 } 62	COM 1 } COM 16	LCD Common Signal Output	16 State Output	

BLOCK DIAGRAM



IC BLOCK DIAGRAM

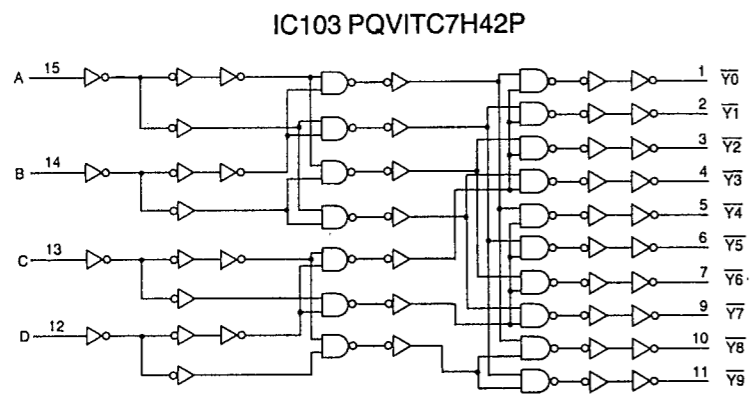


Fig. 9

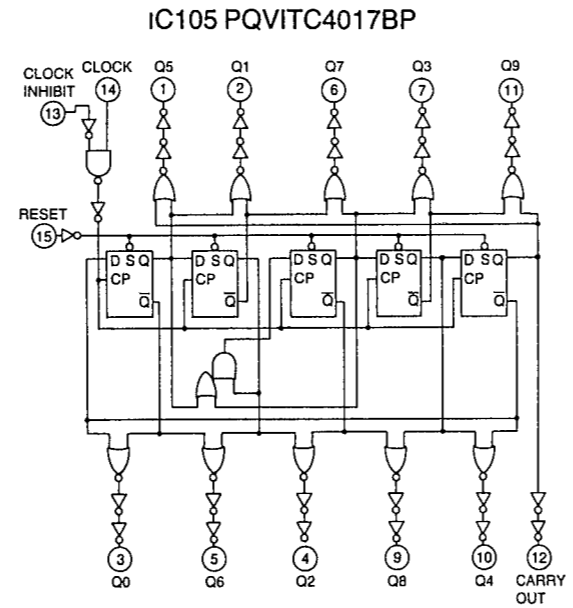


Fig. 10

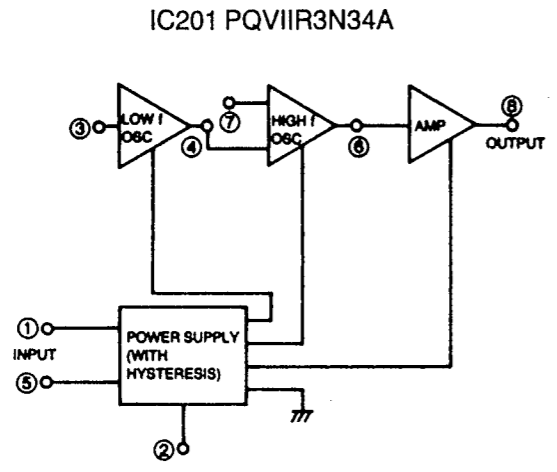


Fig. 11

ACCESSORIES AND PACKING MATERIALS

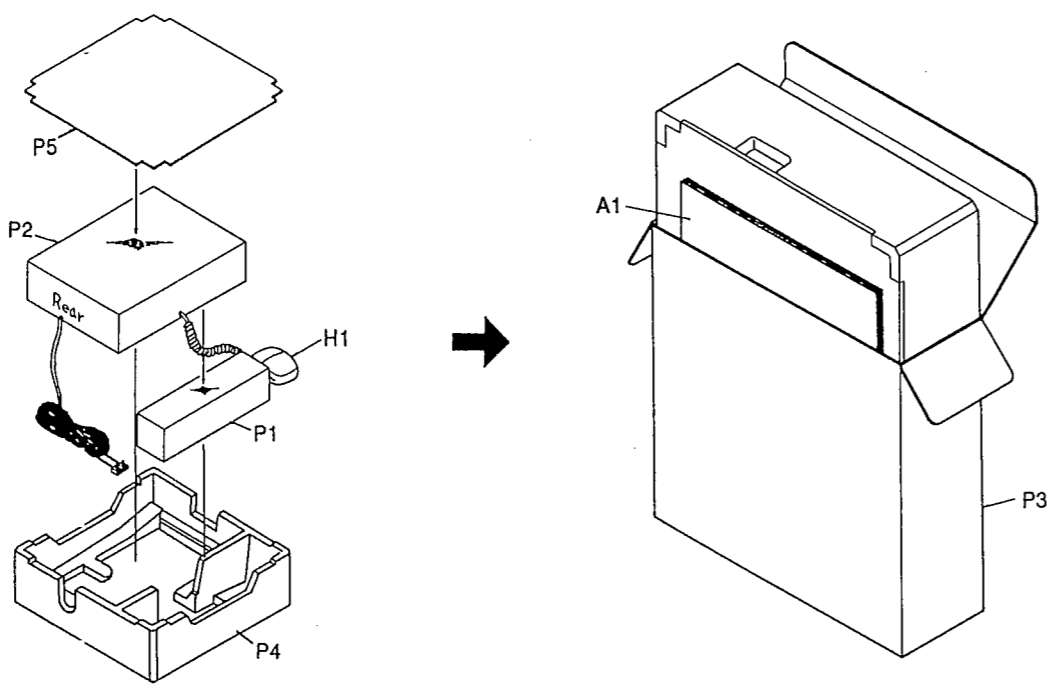
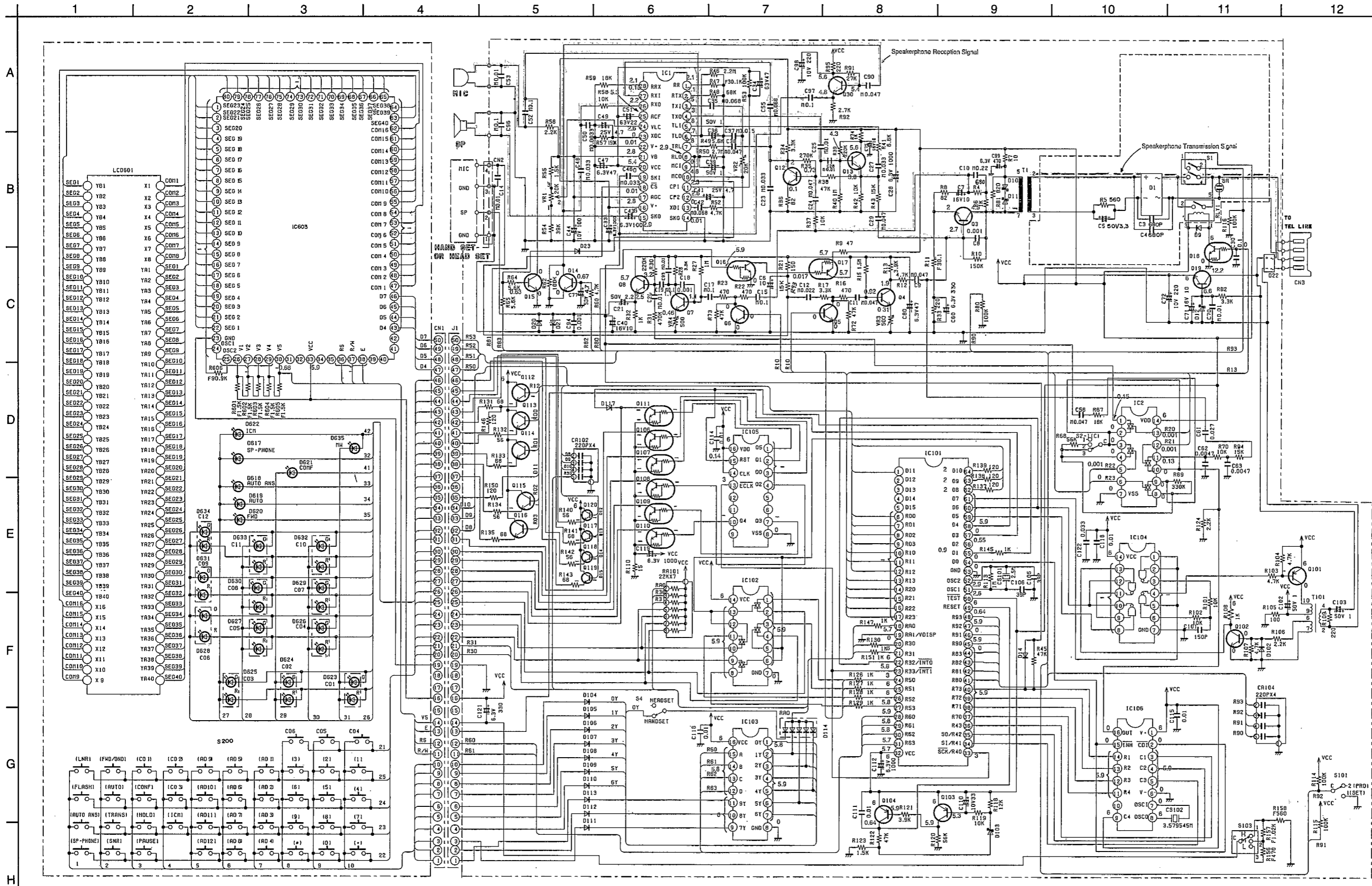


Fig. 12

TERMINAL GUIDE OF IC'S, TRANSISTORS AND DIODES

<p>IC1</p>	<p>IC2, 102, 104</p>	<p>IC101</p>	<p>IC103, 105</p>
<p>IC106</p>	<p>IC601</p>	<p>Q103, 104</p>	
<p>D622</p>	<p>Q3-8, 12-18, 30, 101, 102, 106-116</p>	<p>D1, 22</p>	
<p>D10, 11, 12, 103</p>	<p>D7, 9, 14, 20, 21, 23, 102, 104-113, 117,</p>	<p>D617-621, 635</p>	
<p>D623-634</p>	<p>D114</p>		

SCHEMATIC DIAGRAM

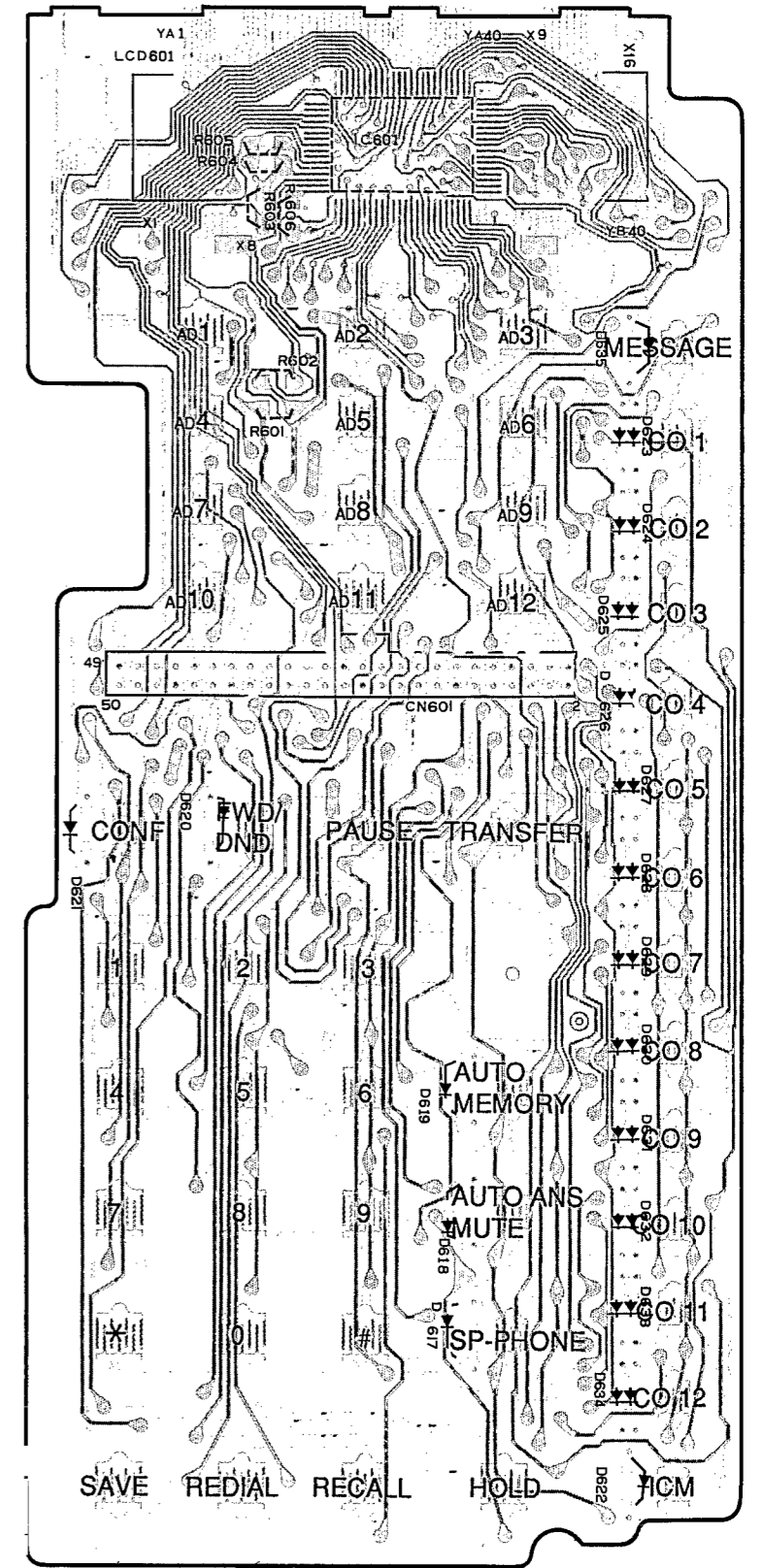
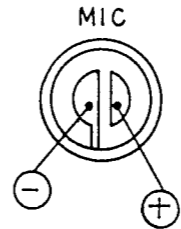
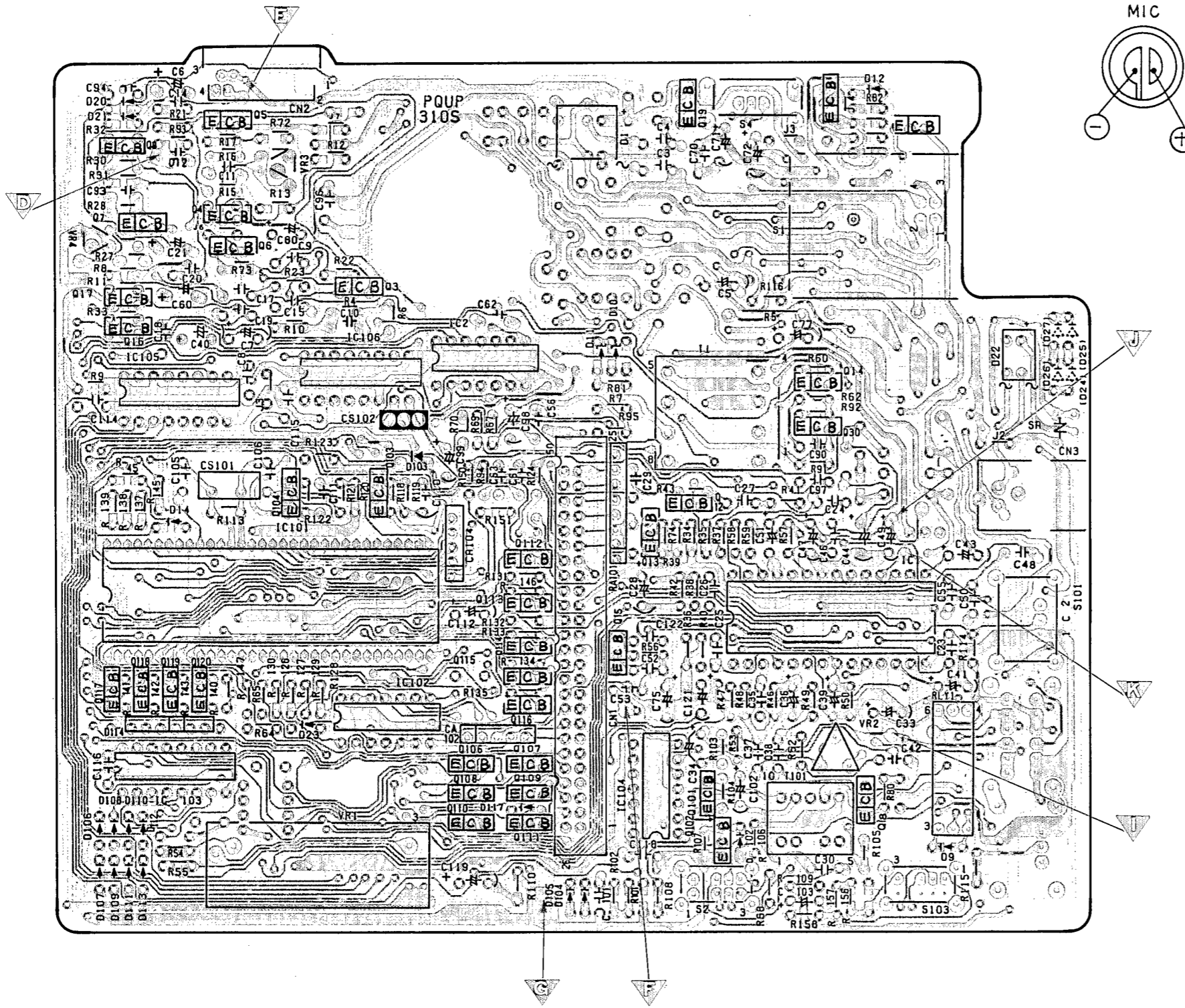


PRINTED CIRCUIT BOARD

1 2 3 4 5 6 7 8 9 10 11 12

(COMPONENTS VIEW)

A
B
C
D
E
F
G
H



Notes: 1. The circuit shown in on the conductor indicates printed circuit on the back side of the printed circuit board.

2. The circuit shown in on the conductor indicates printed circuit on the front side of the printed circuit board.

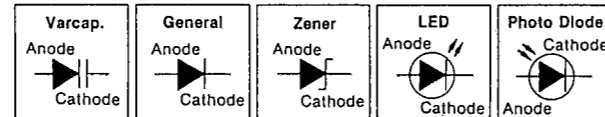
3. This printed circuit board may be modified at any time with the development of new technology.

ADJUSTMENT

FOR SCHEMATIC DIAGRAM

Notes:

- S1: Hook switch.
- S2: Ringer volume selector switch in "HIGH" position.
- S4: Handset/Headset switch in "HANDSET" position.
- S101: Memory switch in "PROGRAM" position.
- S103: Contrast selector switch in "H" position.
- S200: Dial switch. (Rubber switch)
- DC voltage measurements are taken with electronic voltmeter from ground.
(Off-Hook condition
IC1, Q12, Q13 and Q30...Speakerphone ON condition)
- This schematic diagram may be modified at any time with the development of new technology.



ICs, TRANSISTORS AND DIODES FUNCTION NAME

Ref. No.	Part No.	Function Name	Ref. No.	Part No.	Function Name
IC1	PQVISC77655P	SPEAKERPHONE ANALOG SWITCH	Q110, 111	DTC143EA	SWITCHING
IC2	PQVIPD4066BC		Q101	2SA937	SWITCHING
IC101	PQVI4045SF76	CPU	Q103,104	2SB641	SWITCHING
IC102	PQVITC4066BP	ANALOG SWITCH	Q109	UN1224	SWITCHING
IC103	PQVITC7H42P	MULTIPLEXER	D1,22	PQVDS1YB40F1	RECTIFIER
IC104	PQVITC4011BP	NAND GATE	D7, 9, 14, 23, 102, 104-113, 117	1SS131	SWITCHING
IC105	PQVITC4017BP	DECADE COUNTER	D10,11	MA4047	LIMITER
IC106	PQVILR4089	GENERATOR	D12	MA4068	REGULATOR
IC601	PQVIHD44780	LCD DRIVER	D20, 21	MA700A	SWITCHING
Q3, 8, 13, 30, 102, 112-116	2SC2021	AMPLIFIER	D103	MA4036	SWITCHING
Q4, 7, 12	2SC1740S	SWITCHING	D114	PQXDF030372	SWITCHING
Q5, 6	PQVTBB1L3N	SWITCHING	D617-621, 635	LN01201CU3LF	LED
Q14, 15	2SD1302	SWITCHING	D622	LN01301C3LF1	LED
Q16	DTC144A	SWITCHING	D623-634	LN02102C13LF	LED
Q17	DTA143XA	SWITCHING			
Q18, 106-108	DTC143EA	SWITCHING			

Perform the following adjustment after replacing IC1 and VR2-VR4.

Test Equipment:

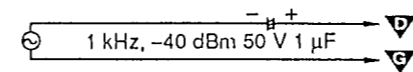
- Loop Simulator
- RC Oscillator
- VTVM
- DC Power Supply

Preparation:

- Set unit's controls as follows:
 - SP-PHONE SWITCH... "ON"
 - VOLUME CONTROL... "MAX"
- Set the variable resistor of the Loop Simulator to maximum resistance (fully counterclockwise.)
- Connect the unit to the Loop Simulator.
- Make adjustment in a quiet room.

Transmission Level Adjustment (for Handset)

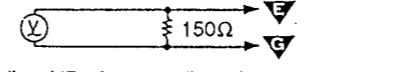
- Set the Loop Simulator selector switch to "TX".
- Connect the Oscillator to Test Point ∇ (-) - ∇ (+), as shown below.
- Set RC Oscillator to 1 kHz, -40 dBm.



- Connect the VTVM.
- Adjust VR3 for a reading of -12 ± 0.5 dBm, on the VTVM.

Reception Level Adjustment (for Handset)

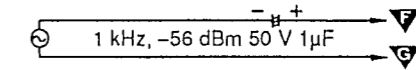
- Set the Loop Simulator selector switch to "RX".
- Apply the 1 kHz, -20 dBm for the Oscillator.
- Connect the resistor 150Ω to the test point ∇ - ∇ , and connect the VTVM to the both ends.



- Adjust VR4 for a reading of -31 ± 0.5 dBm, on the VTVM.

Transmission Level Adjustment (for Speakerphone)

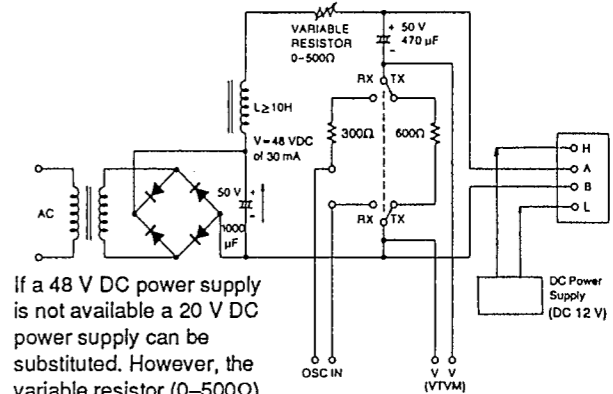
- Connect the test points ∇ - ∇ and ∇ - ∇ .
- Set the Loop Simulator selector switch to "TX".
- Connect the RC Oscillator to Test Point ∇ (-) - ∇ (+), and connect an electrolytic capacitor (50 V, 1 μF) as shown below.
- Set RC Oscillator to 1 kHz, 56 dBm.



- Connect the VTVM to test point ∇ - ∇ .
- Adjust VR2 for a reading of -20 ± 0.5 dBm, on the VTVM.
- Disconnect the test point ∇ - ∇ and ∇ - ∇ .

Please refer to Printed Circuit Board which is located test points (∇).

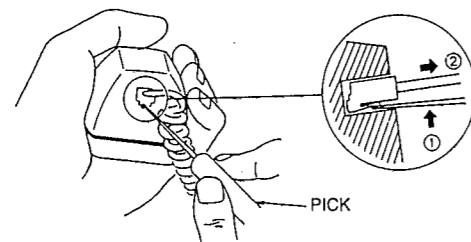
Schematic Diagram of Loop Simulator



If a 48 V DC power supply is not available a 20 V DC power supply can be substituted. However, the variable resistor (0-500Ω) must be set to 0 ohms

Fig. 13

REMOVAL OF THE HANDSET CORD



Remove the Handset Cord from the unit in the same way.

HANDSET PARTS LOCATION

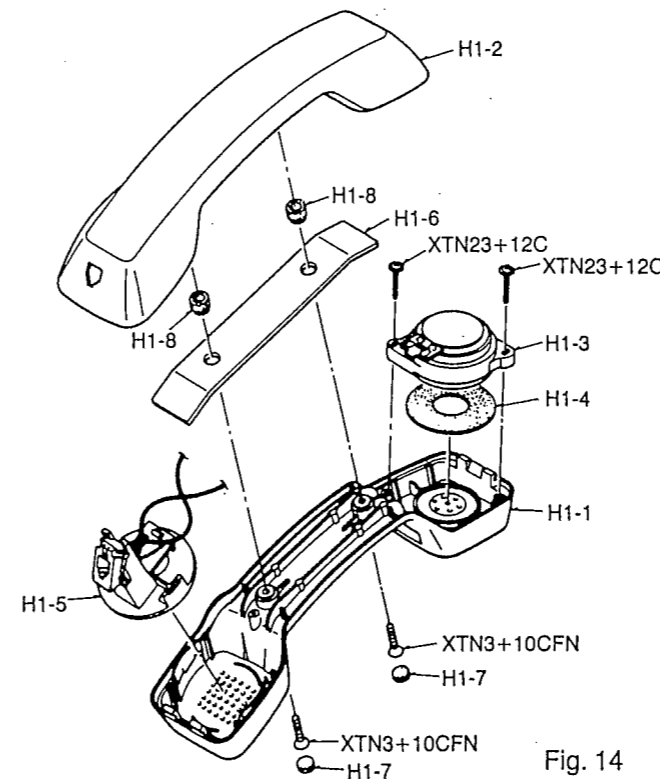
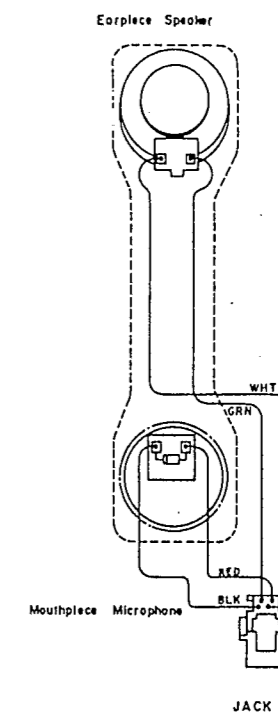


Fig. 14



CABINET AND ELECTRICAL PARTS LOCATION

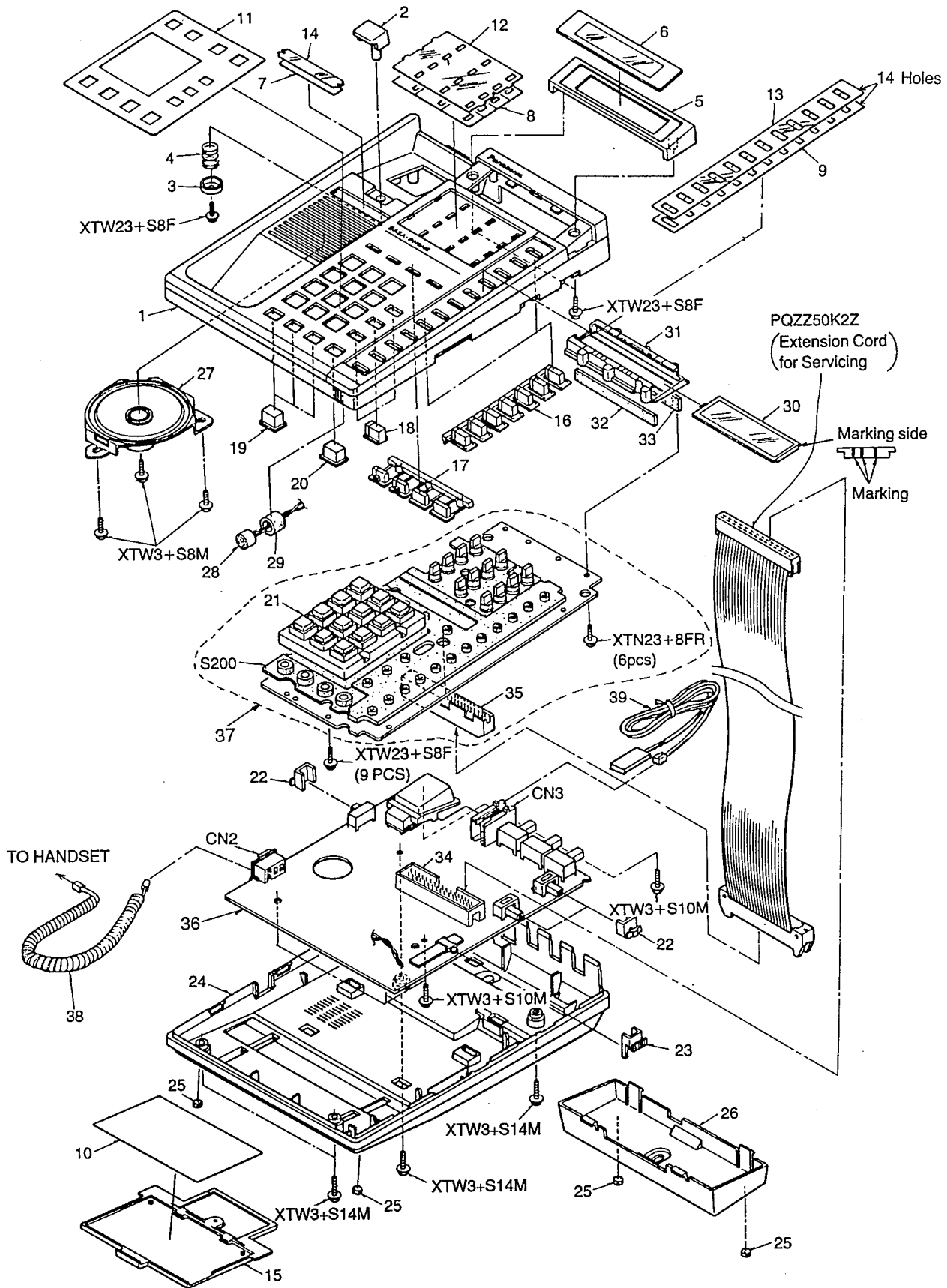


Fig. 15

REPLACEMENT PARTS LIST

Notes: Model KX-T123230E
 1. Printed circuit board assembly with mark (NLA) is no longer available after production discontinuation of the complete set.
 2. Important safety notice.
 Components identified by the Δ mark special characteristics important for safety.
 When replacing any of these components, use only manufacturer's specified parts.
 3. The S mark indicates service standard parts and may differ from production parts.
 4. RESISTORS & CAPACITORS
 Unless otherwise specified.
 All resistors are in ohms (Ω) k=1000 Ω , M=1000k Ω
 All capacitors are in MICRO FARADS (μ F) P= μ F
 *Type & Wattage of Resistor

ERC:Solid	ERX:Metal Film	PQRD:Carbon
ERD:Carbon	ERG:Metal Oxide	PQRQ:Fuse
PQ4R:Chip	ERO:Metal Film	ERF:Wire Wound

Wattage					
10,16,18:1/8W	14,25,S2:1/4W	12,50,S1:1/2W	1:1W	2:2W	3:3W

Type	
ECFD:Semi-Conductor	ECCD,ECKD,PQCBC: Ceramic
ECQS:Styrol	ECQM,ECQV,ECQG,ECQE: Polyster
PQCBX,ECUV:Chip	ECEA,ECSZ,ECEB: Electrolytic
ECMS:Mica	ECQP: Polypropylene

Voltage				
ECQ Type	ECQG ECQV Type	ECSZ Type	Others	
1H: 50V	05: 50V	OF:3.15V	OJ :6.3V	1V :35V
2A:100V	1:100V	1A:10V	1A :10V	50,1H:50V
2E:250V	2:200V	1V:35V	1C :16V	1J :63V
2H:500V		OJ:6.3V	1E,25:25V	2A :100V

Ref. No.	Part No.	Part Name & Description	Pcs
D1,22	PQVDS1YB40F1	Diode (Si)	2
D9	1SS131	Diode (Si)	15
D14,23,102,103,104,113,117			
D10,11	MA4047	Diode (Si)	2
D12	MA4068	Diode (Si)	1
D20,21	MA700A	Diode (Si)	2
D103	MA4036	Diode (Si)	1
D114	PQXDF030356	Diode (Si)	1
D617-621,635	LN01201CU3LF	LED	S 6
D622	LN01301C3LF1	LED	S 1
D623-634	LN02102C13LF	LED	S 12

SWITCHES

S1	PQSH1B08Z	Switch, Hook	1
S2	PQSS3B09Z	Switch, Ringer Volume	1
S3	Not Used		
S4	PQSS2A25Z	Switch, Handset/Headset	1
S101	PQSS2A12V	Switch, Memory	1
S103	PQSS3A14Z	Switch, Contrast	1
S200	PQSE70Z	Switch, Dial (Rubber Switch)	1
RLY1	PQSL7Z	Relay	1

TRANSFORMERS

T1	ETA19Y93AF	Call Transformer	1
T101	ETE13K24AY	Interface Transformer	1

OTHERS

VR1	PQVAL202B24A	Volume Control, 20k Ω (B)	1
VR2	PQNB3A00B24M	Semi-Fixed Resistor, 20k Ω (B)	S 1
VR3,4	PQNB3A00B52M	Semi-Fixed Resistor, 500 Ω (B)	S 1
RA101	PQRS8B7223J	Component Combination, Resistor Array	1
CA102, CA104	PQXF4WB05	Component Combination, Capacitor Array	2
SA	PQVDSAE310F1	Varistor (Surge Absorber)	S 1
CS101	PQVCX2500N9	Crystal Oscillator	1
CS102	PQVBT3.58G4	Ceramic Filter	S 1

JACKS

CN2	PQJ1TB10Z	Jack, Handset/Headset	1
CN3	PQJ1TB15Z	Jack, Telephone (EMSS)	1

HANDSET PARTS

H1	PQJX2PE202Y	Handset Assembly	Δ 1
H1-1	PQKM36E	Lower Cabinet	1
H1-2	PQKF34X6	Upper Cabinet	1
H1-3	PQJE47Z	Speaker	1
H1-4	PQHR9101Z	Cushion	1
H1-5	PQJM112Z	Microphone Ass'y	1
H1-6	PQUL59Z	Weight	1
H1-7	PQHG402Z	Rubber Cap	2
H1-8	PQHG412Z	Rubber Spacer	2

Ref. No.	Part No.	Part Name & Description	Pcs
INTEGRATED CIRCUITS, TRANSISTORS & DIODES			
IC1	PQVISC77655P	IC	S 1
IC2	PQVIPD4066BC	IC	S 1
IC101	PQVI4045SF76	IC	1
IC102	PQVITC4066BP	IC	S 1
IC103	PQVITC7H42P	IC	S 1
IC104	PQVITC4011BP	IC	S 1
IC105	PQVITC4017BP	IC	S 1
IC106	PQVITP5089N	IC	1
IC601	PQVIHD44780	IC	1
Q3,8,13,30,102,112-120	2SC2021	Transistiro (Si)	14
Q4,7,12	2SC1740S	Transistiro (Si)	3
Q5,6	PQVTBB1L3N	Transistiro (Si)	2
Q14,15	2SD1302	Transistor (Si)	2
Q16	DTC144A	Transistor (Si)	S 1
Q17	DTA143XA	Transistor (Si)	S 1
Q18,106,107,108,110,111	DTC143EA	Transistor (Si)	S 6
Q19	2SC1567	Transistor (Si)	S 1
Q101	2SA937	Transistor (Si)	S 1
Q103,104	2SB641	Transistor (Si)	S 2
Q109	UN1224	Transistor (Si)	1

Ref. No.	Part No.	Part Name & Description	Pcs		
CABINET AND ELECTRICAL PARTS					
1	PQKM180K	Upper Cabinet	1		
2	PQKE20Z9	Hanger, Handset	1		
3	RMS35Z	Bracket, Handset Hanger M'tg	1		
4	PQUS65Z	Spring	1		
5	PQGK50Z	Ornament	1		
6	PQGP48Z	Transparent Plate, LCD	1		
7	PQHP532X	Card, TEL. No.	1		
8	PQHP542Z	Card, Memory Station	1		
9	PQHP570Z	Card, COL	1		
10	PQHP5105Z	Card, Index	1		
11	PQHP561Y	Card, Overlay	1		
12	PQHR5005Z	Transparent Plate, Memory Station Card	1		
13	PQHR5043Z	Transparent Plate, COL Card	1		
14	PQHR576Z	Transparent Plate, TEL. No. Card	1		
15	PQHR9152Y	Cover, Index Card	1		
16	PQBCX40Z	Button, Station	2		
17	PQBCX20Z	Button, CONF/FWD,DND/PAUSE/TRANS	1		
18	PQBC114Z	Button, AUTO/AUTO ANS/SP-PHONE	3		
19	PQBC115Z	Button, SAVE/REDIAL/RECALL	3		
20	PQBC115Z1	Button, HOLD	1		
21	PQBCX25Y	Button, Dial (Assembly)	1		
22	PQBD62Z	Knob, Ringer, Contrast, Handset/Headset	3		
23	PQBD63Z	Knob, Volume	1		
24	PQYF123230EU	Lower Cabinet Ass'y	1		
25	RHG1028Z	Rubber Parts, Leg	4		
26	PQKL10Z	Stand	1		
27	PQAS65P06V	Speaker	1		
28	RJM142Z	Microphone	S 1		
29	PQHGS03Z	Rubber Parts, Microphone Cover	1		
30	PQADLR110C	LCD (LCD601)	1		
31	PQHR9156Y	Holder, LCD	1		
32	PQSE51Z	Connector, LCD	S 1		
33	PQSE52Z	Connector, LCD	S 1		
34	PQJP50D30Y	Connector, 50P (CN1)	1		
35	PQJS50X33Y	Connector, 50P (CN601)	1		
36	PQWP112323EU	Main P.C. Board Assembly (NLA)	1		
37	PQWP212323EU	Dial P.C. Board Assembly (NLA)	1		
38	PQWAT61620EU	Handset Cord	1		
39	PQJA87T	Telephone Cord	△ 1		
ACCESSORY					
A1	PQXQ6289Z	Instruction Book (User Guide)	△ 1		
PACKING MATERIALS					
P1	PQPH27Y	Protection Cover (for Handset)	1		
P2	XZB30X25A01	Protection Cover (for Unit)	1		
P3	PQPK1092Z	Gift Box	1		
P4	PQPN1002Z	Pad, Lower	1		
P5	PQPN1130Z	Pad, Upper	1		
Ref. No.	Part No.	Value	Ref. No.	Part No.	Value
RESISTORS					
R1	Not Used		R15	ERDS2TJ155	1.5M
R2	Not Used		R16	ERDS2TJ471	470
R3	Not Used		R17	ERDS2TJ332	3.3k
R4	ERDS2TJ681	680	R18	Not Used	
R5	PQRD1TJ561	560	R19	Not Used	
R6	ERDS2TJ102	1k	R20	Not Used	
R7	ERDS2TJ100	10	R21	ERDS2TJ151	150
R8	ERDS2TJ820	82	R22	ERDS2TJ471	470
R9	ERDS2TJ470	47	R23	ERDS2TJ471	470
R10	ERDS2TJ154	150k	R24	Not Used	
R11	ERO16CKF30R1	30.1	R25	Not Used	
R12	ERDS2TJ472	4.7k	R26	Not Used	
R13	ERDS2TJ392	3.9k	R27	ERDS2TJ105	1M
R14	Not Used		R28	ERDS2TJ332	3.3k

Ref. No.	Part No.	Value	Ref. No.	Part No.	Value
R29	Not Used		R106	ERDS2TJ222	2.2k
R30	ERDS2TJ224	220k	R107	ERDS2TJ472	4.7k
R31	ERDS2TJ474	470k	R108	ERDS2TJ102	1k
R32	ERDS2TJ102	1k	R109	ERDS2TJ221	220
R33	ERDS2TJ221	220	R110	ERDS2TJ150	15
R34	ERDS2TJ332	3.3k	R111	Not Used	
R35	ERDS2TJ274	270k	R112	Not Used	
R36	ERDS2TJ820	82	R113	ERDS2TJ105	1M
R37	ERDS2TJ103	10k	R114	ERDS2TJ104	100k
R38	ERDS2TJ473	47k	R115	ERDS2TJ104	100k
R39	ERDS2TJ224	220k	R116	ERDS2TJ104	100k
R40	ERDS2TJ105	1M	R117	Not Used	
R41	ERDS2TJ682	6.8k	R118	ERDS2TJ123	12k
R42	ERDS2TJ103	10k	R119	ERDS2TJ103	10k
R43	ERDS2TJ153	15k	R120	ERDS2TJ563	56k
R44	Not Used		R121	ERDS2TJ392	3.9k
R45	ERDS2TJ473	47k	R122	ERDS2TJ473	47k
R46	ERDS2TJ225	2.2M	R123	ERDS2TJ152	1.5k
R47	ERO16CKF3012	30.1k	R124	ERDS2TJ222	2.2k
R48	ERDS2TJ683	68k	R125	Not Used	
R49	ERDS2TJ562	5.6k	R126	ERDS2TJ102	1k
R50	ERDS2TJ275	2.7M	R127	ERDS2TJ102	1k
R51	Not Used		R128	ERDS2TJ102	1k
R52	ERDS2TJ472	4.7k	R129	ERDS2TJ102	1k
R53	ERDS2TJ104	100k	R130	ERDS2TJ102	1k
R54	ERDS2TJ393	39k	R131	ERDS2TJ680	68
R55	ERDS2TJ152	1.5k	R132	ERDS2TJ560	56
R56	ERDS2TJ222	2.2k	R133	ERDS2TJ680	68
R57	ERDS2TJ154	150k	R134	ERDS2TJ560	56
R58	ERDS2TJ103	10k	R135	ERDS2TJ680	68
R59	ERDS2TJ183	18k	R136	Not Used	
R60	ERDS2TJ472	4.7k	R137	ERDS2TJ121	120
R61	Not Used		R138	ERDS2TJ121	120
R62	ERDS2TJ104	100k	R139	ERDS2TJ121	120
R63	Not Used		R140	ERDS2TJ560	56
R64	ERDS2TJ562	5.6k	R141	ERDS2TJ680	68
R65	ERDS2TJ562	5.6k	R142	ERDS2TJ560	56
R66	Not Used		R143	ERDS2TJ680	68
R67	ERDS2TJ183	18k	R144	Not Used	
R68	ERDS2TJ563	56k	R145	ERDS2TJ102	1k
R69	ERDS2TJ334	330k	R146	ERDS2TJ121	120
R70	ERDS2TJ103	10k	R147	ERDS2TJ102	1k
R71	Not Used		R148	Not Used	
R72	ERDS2TJ473	47k	R149	Not Used	
R73	ERDS2TJ473	47k	R150	ERDS2TJ121	120
R74	ERDS2TJ102	1k	R151	ERDS2TJ102	1k
R75	Not Used		R152	Not Used	
R76	Not Used		R153	Not Used	
R77	Not Used		R154	Not Used	
R78	Not Used		R155	Not Used	
R79	Not Used		R156	ERO16CKF4700	470
R80	ERDS2TJ104	100k	R157	ERO16CKF1021	1.02k
R81	ERDS2TJ821	820	R158	ERO16CKF5600	560
R82	ERDS2TJ332	3.3k			
R83	Not Used		R601	PQ4R10XF1501	1.5k
R84	Not Used		R602	PQ4R10XF1501	1.5k
R85	Not Used		R603	PQ4R10XF1501	1.5k
R86	Not Used		R604	PQ4R10XF1501	1.5k
R87	Not Used		R605	PQ4R10XF1501	1.5k
R89	Not Used		R606	PQ4R10XF9092	90.9k
R89	Not Used				
R90	Not Used				
R91	ERDS2TJ273	27k			
R92	ERDS2TJ272	2.7k			
R93	ERDS2TJ152	1.5k			
R94	ERDS2TJ153	15k			
R95	ERDS2TJ221	220			
R96	Not Used				
R97	Not Used				
R98	Not Used				
R99	Not Used				
R100	Not Used				
R101	ERDS2TJ103	10k			
R102	ERDS2TJ103	10k			
R103	ERDS2TJ472	4.7k			
R104	ERDS2TJ472	4.7k			
R105	ERDS2TJ101	100			

Ref. No.	Part No.	Value	Ref. No.	Part No.	Value
C1	Not Used		C78	Not Used	
C2	Not Used		C79	Not Used	
C3	ECKD2H681KB	680P	C80	ECEA1CKS470	47 S
C4	ECKD2H681KB	680P	C81	Not Used	
C5	ECEA1HKS3R3	3.3	C82	Not Used	
C6	ECEA1CKS100	10	C83	Not Used	
C7	ECEA1CKS100	10	C84	Not Used	
C8	ECKD1H102JA	0.001	C85	Not Used	
C9	ECFD1E473KD	0.047 S	C86	Not Used	
C10	ECQV1H224JZ	0.22	C87	Not Used	
C11	ECFD1E473KD	0.047 S	C88	Not Used	
C12	ECFD1E223KD	0.022	C89	Not Used	
C13	Not Used		C90	ECFD1E473KD	0.047 S
C14	PQCBC1C103MY	0.01	C91	Not Used	
C15	ECFD1C104KD	0.1	C92	Not Used	
C16	Not Used		C93	PQCBC1C103MY	0.01
C17	ECFD1C104KD	0.1	C94	ECKD1H102JA	0.001
C18	ECKD1H102JA	0.001	C95	Not Used	
C19	ECFD1C104KD	0.1	C96	ECFD1C104KD	0.1
C20	PQCBC1C103MY	0.01	C97	ECFD1C104KD	0.1
C21	ECEA1HKS2R2	2.2	C98	ECEA1AU221	220
C22	Not Used		C99	ECEB0JU471	470
C23	ECFD1C333KD	0.033	C100	Not Used	
C24	ECFD1E473KD	0.047 S	C101	ECCD1H151JC	150P
C25	PQCBC1C103MY	0.01	C102	ECEA50Z1	1
C26	PQCBC1C103MY	0.01	C103	ECEA1HKS010	1
C27	ECFD1C333KD	0.033	C104	Not Used	
C28	ECEA0JU102	1000	C105	ECCD1H390KC	39P
C29	ECFD1E473KD	0.047 S	C106	ECCD1H390KC	39P
C30	ECFD1C104KD	0.1	C107	Not Used	
C31	Not Used		C108	Not Used	
C32	Not Used		C109	Not Used	
C33	ECEA0JU102	1000	C110	ECEA1VU330	33 S
C34	ECEA1CKS470	47 S	C111	ECKD1H103KB	0.01
C35	ECFD1C683KD	0.068	C112	ECEA0JU102	1000
C36	ECEA1HKS010	1	C113	Not Used	
C37	ECFD1E153KD	0.015	C114	ECKD1H103KB	0.01
C38	ECFD1E473KD	0.047 S	C115	ECKD1H103KB	0.01
C39	ECEA1HKS010	1	C116	ECKD1H103KB	0.01
C40	ECEA1CKS100	10	C117	Not Used	
C41	ECEA1HKS4R7	4.7 S	C118	ECKD1H103KB	0.01
C42	ECFD1C683KD	0.068	C119	ECEA0JU102	1000
C43	ECEA1CK101	100 S	C120	Not Used	
C44	ECEA1AU101	100	C121	ECEA0JU331	330
C45	Not Used		C122	ECFD1C333KD	0.033
C46	ECFD1C333KD	0.033			
C47	ECEA1CKS470	47 S			
C48	ECFD1C333KD	0.033			
C49	ECEA1HKS4R7	4.7 S			
C50	ECKD1H332KB	0.0033			
C51	ECEA0JKS220	22			
C52	ECFD1C104KD	0.1			
C53	PQCBC1C103MY	0.01			
C54	Not Used				
C55	ECFD1C683KD	0.068			
C56	ECFD1E473KD	0.047 S			
C57	Not Used				
C58	Not Used				
C59	Not Used				
C60	ECEA0JU331	330			
C61	ECQV1H273JZ	0.027			
C62	ECKD1H472KB	0.0047			
C63	ECKD1H472KB	0.0047			
C64	Not Used				
C65	Not Used				
C66	Not Used				
C67	Not Used				
C68	Not Used				
C69	Not Used				
C70	PQCBC1C103MY	0.01			
C71	ECEA1CKS100	10			
C72	ECEA1AU221	220			
C73	Not Used				
C74	Not Used				
C75	ECEA1CKS100	10			
C76	Not Used				
C77	ECEA1HKS4R7	4.7			

OPERATIONS

MAKING CALLS	
<ul style="list-style-type: none"> ● Lift the handset or press the SP-PHONE button first. ● After finishing your conversation, hang up the handset or press the SP-PHONE button. 	
INTER OFFICE CALLING (Intercom)	Dial extension no. (200 through 299)
OUTWARD DIALING Individual Line Access	Dial phone number
Automatic Line Access	Dial phone number
Individual Trunk Group Access	Dial Trunk Group number (1 through 8) Dial phone number
SPEED DIALING	Dial speed access code (00 through 99)
ONE TOUCH DIALING	(Press the PROGRAMMABLE FEATURE button.)
CALLING DOORPHONE	For doorphone 1: For doorphone 2:
OPERATOR CALL	: Operator 1 : Operator 2 <ul style="list-style-type: none"> ● In case one operator is programmed, you have only to dial 0.

WHEN A LINE IS BUSY	
AUTOMATIC CALL BACK BUSY (Camp-on) For Outside Calls	Hear a busy tone Hang up handset or press "SP-PHONE"
For Intercom Calls	Dial extension no. (200 through 299) Hear a busy tone Hang up handset or press "SP-PHONE"

WHEN A LINE IS BUSY (CONT.)	
BUSY STATION SIGNALING	Dial extension no. (200 through 299) Hear a busy tone
LAST NUMBER REDIAL	Lift handset or press "SP-PHONE"
EXECUTIVE OVERRIDE —into Extension	Dial extension no. (200 through 299) Hear busy tone

RECEIVING CALLS	
ANSWER	Lift handset or ● You may press the CO or ICM button.
AUTOMATIC ANSWER-INTERCOM	To set: ● The AUTO ANSWER indicator will be lit. To cancel:
DIAL CALL PICKUP	Lift handset or press "SP-PHONE" ● You may dial the ringing extension number instead of 0.

WHILE HAVING A CONVERSATION	
HOLD-CO Call on Hold	To place call on hold: To retrieve at the holding extension: ● Press the CO button whose indicator is flashing slowly (green color). To retrieve from another extension: ● Press the CO button whose indicator is flashing slowly (red color).
Call on Exclusive Hold	To place call on hold: To retrieve: ● Press the CO button whose indicator is flashing twice at regular intervals (green color).

WHILE HAVING A CONVERSATION (CONT.)	
HOLD-INTERCOM Call on Hold	To place call on hold <input type="button" value="HOLD"/>
	To retrieve at the holding extension <input type="button" value="ICM"/>
Call on Exclusive Hold	To place call on hold <input type="button" value="HOLD"/> <input type="button" value="HOLD"/>
	To retrieve from another extension <input type="button" value="5"/> Dial holding extension no. (200 through 299)
CONFERENCE	<input type="button" value="CONF"/> Dial 2nd party Consult with 2nd party <input type="button" value="CONF"/>
CALL WAITING To Terminate the Original Call and Talk to the New Caller To Place the Original Call on Hold and Talk to the New Caller	Hear a call waiting tone <input type="button" value="CO"/> or <input type="button" value="ICM"/> Talk
	Hear a call waiting tone <input type="button" value="HOLD"/> <input type="button" value="CO"/> or <input type="button" value="ICM"/> Consult with new caller while original call is on hold • If both original and new calls are intercom calls, you need not to press the ICM button.
CALL TRANSFER-TO EXTENSION To Transfer after the Other Extension Answers To Transfer without Announcing to the Other Extension	<input type="button" value="TRANSFER"/> Dial extension no. (200 through 299) Announce and wait for answer Hang up
	<input type="button" value="TRANSFER"/> Dial extension no. (200 through 299) Hang up
CALL TRANSFER-TO OUTSIDE LINE To Transfer after the Other Outside Party Answers To Transfer without Announcing to the Other Outside Party	<input type="button" value="TRANSFER"/> <input type="button" value="CO"/> Dial phone number Announce and wait for answer Hang up
	<input type="button" value="TRANSFER"/> <input type="button" value="CO"/> Dial phone number Hang up

PAGING	
• Lift the handset or press the SP-PHONE button first.	
PAGING ALL EXTENSIONS AND EXTERNAL To Access	<input type="button" value="3"/> <input type="button" value="3"/> <input type="button" value="0"/> Hear 1 beep Page Wait for answer and talk •You may dial 32 * instead of 33 *.
	To Access <input type="button" value="3"/> <input type="button" value="3"/> <input type="button" value="0"/> Hear 1 beep Page Wait for answer and talk
PAGING ALL EXTENSIONS To Access	<input type="button" value="3"/> <input type="button" value="3"/> <input type="button" value="0"/> Hear 1 beep Page Wait for answer and talk
	To Access <input type="button" value="3"/> <input type="button" value="3"/> Dial extension group (1 through 8) Hear 1 beep Page Wait for answer and talk
PAGING GROUP To Access	<input type="button" value="3"/> <input type="button" value="3"/> Dial extension group (1 through 8) Hear 1 beep Page Wait for answer and talk
	To Access to External Paging Equipment <input type="button" value="3"/> <input type="button" value="2"/> Dial the external paging number Hear 1 beep Page Wait for answer and talk Paging number "0": for external paging equipments 1 and 2 Paging number "1": for external paging equipment 1 Paging number "2": for external paging equipment 2
PAGING AND TRANSFER To Transfer Call to Paged Person	During a conversation: <input type="button" value="TRANSFER"/> <input type="button" value="3"/> <input type="button" value="3"/> Hear 1 beep Page Wait for answer and hang up • You may dial 331 through 338 or 320 through 322 instead of 330. • You need not to lift the handset or press the SP-PHONE button first.
	To Paging from Built-in Speaker <input type="button" value="4"/> <input type="button" value="3"/> Hear 1 beep Talk
ANSWER To Paging from External Equipment	<input type="button" value="4"/> <input type="button" value="2"/> Dial the external paging number Hear 1 beep Talk Paging number "1": for external paging equipment 1 Paging number "2": for external paging equipment 2

OTHER FEATURES	
<ul style="list-style-type: none"> Lift the handset or press the SP-PHONE button first. After hearing confirmation tone (1 or 2 beep), hang up the handset or press the SP-PHONE button. 	
CALL FORWARDING-ALL CALLS	Setting <input type="checkbox"/> FWD/DND <input type="checkbox"/> 1 Dial extension no. (200 through 299) #
BUSY OR NO ANSWER	Setting <input type="checkbox"/> FWD/DND <input type="checkbox"/> 2 Dial extension no. (200 through 299) # To Cancel <input type="checkbox"/> FWD/DND <input type="checkbox"/> 0 #
CALL FORWARDING-TO OUTSIDE LINE	Setting <input type="checkbox"/> FWD/DND <input type="checkbox"/> 3 <input type="checkbox"/> 9 Dial phone number # <ul style="list-style-type: none"> You may dial 81 through 88 instead of 9. To cancel <input type="checkbox"/> FWD/DND <input type="checkbox"/> 0 #
DIAL CALL PICKUP DENY	Setting <input type="checkbox"/> 7 <input type="checkbox"/> 2 <input type="checkbox"/> 1 # To cancel <input type="checkbox"/> 7 <input type="checkbox"/> 2 <input type="checkbox"/> 0 #
DO NOT DISTURB	Setting <input type="checkbox"/> FWD/DND <input type="checkbox"/> 4 # To cancel <input type="checkbox"/> FWD/DND <input type="checkbox"/> 0 #
FLEXIBLE NIGHT SERVICE (Extension of jack number 01 only)	Setting (Night Mode) <input type="checkbox"/> 7 <input type="checkbox"/> 8 <input type="checkbox"/> 2 # To cancel (Day Mode) <input type="checkbox"/> 7 <input type="checkbox"/> 8 <input type="checkbox"/> 1 #
BACKGROUND MUSIC	To Listen <input type="checkbox"/> 1 • Be sure the handset is in the cradle and the SP-PHONE button is off. To Cancel <input type="checkbox"/> 1
STATION FEATURE CLEAR	<input type="checkbox"/> 7 <input type="checkbox"/> 9 # • Following features can be reset to the default data. Dial Call Pickup Deny, Do not Disturb, Call Forwarding, Call Waiting Tone-From CO/Extension Deny, Data Line Security, Absent Message Capability, Background Music, Executive Override Deny Extension, Message Waiting, Timed Reminder.

OTHER FEATURES (CONT.)	
SAVED NUMBER REDIAL Programming	When the called line is busy or while you speaking on the CO line; <input type="checkbox"/> AUTO <input type="checkbox"/> SAVE <input type="checkbox"/> MEMORY
Dialing	<input type="checkbox"/> SAVE
ABSENT MESSAGE CAPABILITY	Setting Message 1. "Will Return Soon" <input type="checkbox"/> 7 <input type="checkbox"/> 5 <input type="checkbox"/> 1 # Message 2. "Gone Home" <input type="checkbox"/> 7 <input type="checkbox"/> 5 <input type="checkbox"/> 2 # Message 3. "At Ext. extension no." <input type="checkbox"/> 7 <input type="checkbox"/> 5 <input type="checkbox"/> 3 Dial extension no. (200 through 299) # Message 4. "Back at 10:23 AM" <input type="checkbox"/> 7 <input type="checkbox"/> 5 <input type="checkbox"/> 4 Enter "Hour" (01 through 12) Enter "Minute" (00 through 59) <input type="checkbox"/> 0": for AM <input type="checkbox"/> 1": for PM # Message 5. "Out Until 10/23" <input type="checkbox"/> 7 <input type="checkbox"/> 5 <input type="checkbox"/> 5 Enter "Month" (01 through 12) Enter "Day" (01 through 31) # Message 6. "In a Meeting" <input type="checkbox"/> 7 <input type="checkbox"/> 5 <input type="checkbox"/> 6 # To cancel the message ("Message Cancel") <input type="checkbox"/> 7 <input type="checkbox"/> 5 <input type="checkbox"/> 0 #
MESSAGE WAITING	To Leave the Message at each Extension from the Operator Dial extension no. (200 through 299) <input type="checkbox"/> MESSAGE Hear 1 beep
To Call the Operator from the Extension where the Message is Left	<input type="checkbox"/> MESSAGE Talk
To Cancel the Message which is Left at the Extension	From the extension <input type="checkbox"/> 7 <input type="checkbox"/> 0 # From the operator Dial extension no. (200 through 299) <input type="checkbox"/> MESSAGE <input type="checkbox"/> MESSAGE

23

STATION PROGRAMMING	
<ul style="list-style-type: none"> Be sure the handset is in the cradle and the SP-PHONE button is OFF. Set the MEMORY switch of the KX-T123230E to "PROGRAM" position first. After programming, return the MEMORY switch to "SET" position. 	
AUTO CO HUNTING Prime Line Preference	Setting <input type="checkbox"/> 1 <input type="checkbox"/> 3 Dial CO number. (01 through 12) <input type="checkbox"/> AUTO <input type="checkbox"/> MEMORY To cancel <input type="checkbox"/> 1 <input type="checkbox"/> 1 <input type="checkbox"/> AUTO <input type="checkbox"/> MEMORY
Idle Line Preference	Setting <input type="checkbox"/> 1 <input type="checkbox"/> 2 <input type="checkbox"/> AUTO <input type="checkbox"/> MEMORY To cancel <input type="checkbox"/> 1 <input type="checkbox"/> 1 <input type="checkbox"/> AUTO <input type="checkbox"/> MEMORY
AUTOMATIC ANSWERING SELECTION Prime Line Preference	Setting <input type="checkbox"/> 2 <input type="checkbox"/> 3 Dial CO number. (01 through 12) <input type="checkbox"/> AUTO <input type="checkbox"/> MEMORY To cancel <input type="checkbox"/> 2 <input type="checkbox"/> 2 <input type="checkbox"/> AUTO <input type="checkbox"/> MEMORY
NO Line Preference	Setting <input type="checkbox"/> 2 <input type="checkbox"/> 1 <input type="checkbox"/> AUTO <input type="checkbox"/> MEMORY To cancel <input type="checkbox"/> 2 <input type="checkbox"/> 2 <input type="checkbox"/> AUTO <input type="checkbox"/> MEMORY
FLEXIBLE CO BUTTON To Change into Other CO Number	<input type="checkbox"/> CO <input type="checkbox"/> 0 Dial CO number which is set newly. (01 through 12) <input type="checkbox"/> AUTO <input type="checkbox"/> MEMORY
To Assign to Trunk Group Access Button	<input type="checkbox"/> CO # Dial trunk group number. (1 through 8) <input type="checkbox"/> AUTO <input type="checkbox"/> MEMORY
To Change into DSS Button	<input type="checkbox"/> CO <input type="checkbox"/> 1 Dial extension number. (200 through 299) <input type="checkbox"/> AUTO <input type="checkbox"/> MEMORY
To Change into One Touch Dialing Button	<input type="checkbox"/> CO <input type="checkbox"/> 2 <input type="checkbox"/> 9 Dial phone number. <input type="checkbox"/> AUTO <input type="checkbox"/> MEMORY <ul style="list-style-type: none"> You may dial 81 through 88 instead of 9.
To Change into All the Other CO's Button	<input type="checkbox"/> CO * <input type="checkbox"/> AUTO <input type="checkbox"/> MEMORY

STATION PROGRAMMING (CONT.)	
CO LINE RINGING SELECTION	<input type="checkbox"/> 3 Dial CO numbers which you want to ring (01 through 12) <input type="checkbox"/> AUTO <input type="checkbox"/> MEMORY
INTERCOM VOICE ALERTING MODE	Setting (Voice Alerting) <input type="checkbox"/> 4 <input type="checkbox"/> 2 <input type="checkbox"/> AUTO <input type="checkbox"/> MEMORY To cancel (Tone Alerting) <input type="checkbox"/> 4 <input type="checkbox"/> 1 <input type="checkbox"/> AUTO <input type="checkbox"/> MEMORY
DATE AND TIME SETTING (Extension of jack number 01 only)	<input type="checkbox"/> 0 Enter year (last 2 digits) Enter month (01 through 12) Enter day (01 through 31) Dial day of the week "0": for SUN "4": for THU "1": for MON "5": for FRI "2": for TUE "6": for SAT "3": for WED Enter hour (01 through 12) Enter minute (00 through 59) Dial "0" or "1" "0": for AM "1": for PM <input type="checkbox"/> AUTO <input type="checkbox"/> MEMORY
STATION NUMBER CHECK	<input type="checkbox"/> 6 <ul style="list-style-type: none"> The LCD will show your extension number and jack number.
CALL WAITING TONE SELECTION	To select <input type="checkbox"/> 5 Dial 1 (for Tone 1) or 2 (for Tone 2) <input type="checkbox"/> AUTO <input type="checkbox"/> MEMORY
STATION PROGRAM CLEAR	<input type="checkbox"/> # <input type="checkbox"/> * <input type="checkbox"/> AUTO <input type="checkbox"/> MEMORY <ul style="list-style-type: none"> Following programs can be reset to the default data. Auto CO Hunting, Automatic Answering Selection, Intercom Voice Alerting Mode, CO Line Ringing Selection, Call Waiting Tone Selection.
CANCELLATION OF ELECTRONIC STATION LOCK (Extension of jack number 01 only)	<input type="checkbox"/> 8 <input type="checkbox"/> AUTO <input type="checkbox"/> MEMORY

KX-T123230E

KX-T123230E

24

LIQUID CRYSTAL DISPLAY

When the unit is not in use, the LCD will show the month, day and the present time. Also the LCD will show the year, month, day and the day of the week by pressing the * button. To return to the display of the month, day and the present time, press the * button.

DISPLAY TYPE	WHEN THE DISPLAY SHOWS
Do Not Disturb	When "Do Not Disturb" is set.
FWD/DND Cancel	When "Call Forwarding-All Calls", "Call Forwarding-Busy or No Answer", "Call Forwarding-Outside Line" or "Do not Disturb" is canceled.
C.Pickup Deny	When "Dial Call Pickup Deny" is set.
C.Pickup Allow	When "Dial Call Pickup Deny" is canceled.
Night Mode	When "Flexible Night Service" is set.
Day Mode	When "Flexible Night Service" is canceled.
SYS-PGM NO? →	When the SYSTEM PROGRAM switch in the KX-T123210BE is set to "PROGRAM".
Speed Dialing	When "01" is dialed to program a speed dialing number.
Speed No ?	When the NEXT button or SELECT button is pressed to program a speed dialing number after dialing 01 is pressed.
Restricted	<ul style="list-style-type: none"> •When call is restricted with "Toll Restriction". •When the extension which has been set to the Station Lock calls to CO line.
MW at Ext 201	When an operator leave the message at extension 201.
CW (Ext) On	When "Call Waiting Tone-From Extension" is set.
CW (CO) On	When "Call Waiting Tone-From CO" is set.
Call Prked at 21	When a call (intercom or outside) is parked to the parking station number 1.
Data Mode On	When "Data Line Security" is set.
Record OGM	When an OGM vanishes and a call arrives at the CO line to which DISA mode is set.

DISPLAY TYPE	WHEN THE DISPLAY SHOWS
CO 01 2:15'30	While you are in conversation through a CO 1. <ul style="list-style-type: none"> • "2:15'30" indicates that the length of time that you have been speaking is about 2 hours 15 minutes and 30 seconds.
PITS-PGM NO? →	When the MEMORY switch is set to "PROGRAM".
M 01/P: Not Stored	When memory location 01 is stored no telephone number.
Call back EXT 220	When "Automatic Call Back Busy" is set for an extension 220.
Call back CO 01	When "Automatic Call Back Busy" is set for the CO 1.
Door Phone 1	When "Doorphone 1" is called.
210: Brown	When an intercom call reaches from the extension 210 (Mr. Brown).
Call on CO 01	When an outside call reaches the CO 1.
Ext 230 & CO 02	When "Conference" has been established among you and the extension 230 and the CO 2.
Paging All	When all extensions and external paging equipment are paged.
Paging All Ext	When all extensions are paged.
Paging Group 2	When group 2 is paged.
Extrnl Page 1 & 2	When a page has been accessed from an external paging equipment 1 and 2.
Busy Ovrde Deny	When "Executive Override" is denied.
Busy Ovrde Allow	When "Executive Override" is allowed.
FWD (All) Ext 280	When "Call Forwarding-All Calls" is set for an extension 280.
FWD (B/NA) Ext 201	When "Call Forwarding-Busy or No Answer" is set for an extension 201.
FWD (All) CO G 1	When "Call Forwarding-Outside Line" is set for a trunk group 1.

25

KX-T123230E

505